

UNIT SIZE		SPECIFICATIONS	
D25BL2	D25BL5	Practical operating flow range: 10 l/h Mini - 2.5 m <sup>3</sup> /h Maxi [1/3 US Pint/min - 11 US GPM]	Operating pressure: bar 0.30 - 6 4.3 - 85
		Externally adjustable or fixed injection rate: % 0.2 - 2 1:500 1:100	Ratio Mini 1:500 1:100
		Concentrated additive injection: Mini l/h Maxi l/h 0.02 50 1.25	US FL. oz./min-Mini 0.011 0.056
		US GPM-Maxi 0.22 0.55	
		Diameter: cm 12.7 5	
		Total height:cm 37.8 14 7/8	
		Width:cm 16 6 5/16	
		Weight:kg 1.2 2.7	

OSUD25BL-EN-06-24

*Please read the following important information.*  
*Congratulations on your new Dosatron.*

## QUICK START UP D25BL RANGE 2.5 m<sup>3</sup>/h - 11 US GPM

*Because life is powered by water.*



### PRECAUTIONS

#### 1- GENERAL REMARKS

- When connecting a DOSATRON either to the public water supply or to its own water source, you must respect the regulations in force concerning protection of the source i.e. backflow prevention, etc.
- When connecting the DOSATRON to the water supply, ensure that the water flows in the direction of the arrows on the unit.
- In a case where the water installation is higher than the DOSATRON itself, there is a possible risk of water and concentrate flowing back through the DOSATRON. In this case, installing a non-return valve downstream is recommended.
- It is recommended that you should place an anti-siphon valve on the downstream side of the dosing pump in installations in which there is a risk of siphoning.
- Do not install the DOSATRON just above an acid container, (risk of acid fumes attacking the DOSATRON) and protect it from possible contact with corrosive products.
- Protect the DOSATRON from freezing temperatures by draining it and store it away from sources of excessive heat.
- Do not install the DOSATRON on the suction side of the supply pump (risk of siphoning).
- It is the responsibility of the owner/operator to replace the injection seals annually to ensure precise injection.
- The setting of the Dosatron's dosing rate is the sole responsibility of the user. The user has to respect the recommendations given by the manufacturer of the chemical product.

#### WARNING

You must comply with the safety instructions when installing, using and performing maintenance on the DOSATRON water-powered dosing pump: use appropriate tools, protective clothing and safety goggles when working on the equipment and install the DOSATRON so that it can be used without presenting a risk.

Follow the instructions in this documentation and take the appropriate safety measures for the water temperature and the type of liquid being drawn up. Take extreme care when using dangerous substances (solvents, acids, and corrosive, toxic, caustic and inflammable substances, etc.).

- For dosing of these substances, consult with your distributor before use in order to confirm they are compatible with your dosing pump.

The higher temperature increases the risk and danger of the aforementioned substances.

It is strongly recommended that you place signs on the dosing pump and the hot-water installation warning of this risk and that you comply with legislation in force. **WARNING!** Personnel in charge of installing, using and maintaining this equipment must read this documentation.

This document does not form a contractual engagement on the part of Dosatron International and is for information only. Dosatron International reserves the right to alter product specification or appearance without prior notice.  
 © DOSATRON INTERNATIONAL S.A.S 2024

2090 SUNNYDALE BLVD. CLEARWATER - FL 33765 - USA  
 Tel. 1-727-443-5404 / 1-800-523-8499 - Fax 1-727-447-0591  
 Site web: www.dosatronusa.com

DOSATRON INTERNATIONAL INC.  
 CUSTOMER SERVICE (AMERICAS)



info@dosatron.com - www.dosatron.com  
 Fax: 33 (0)5 57 97 11 29 / 33 (0)5 57 97 10 85  
 Tel. 33 (0)5 57 97 11 11

Rue Pascal - B.P. - 6 - 33370 TRESES (BORDEAUX) - FRANCE

DOSATRON INTERNATIONAL S.A.S.

Manufactured by:  
 CUSTOMER SERVICE (WORLDWIDE - EUROPE)



GET YOUR  
 DOCUMENTATION  
 IN OTHER LANGUAGES  
 AVAILABLE

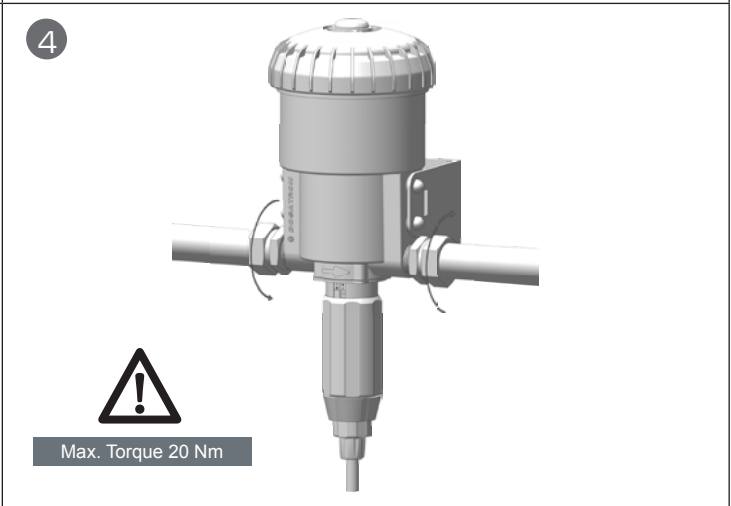
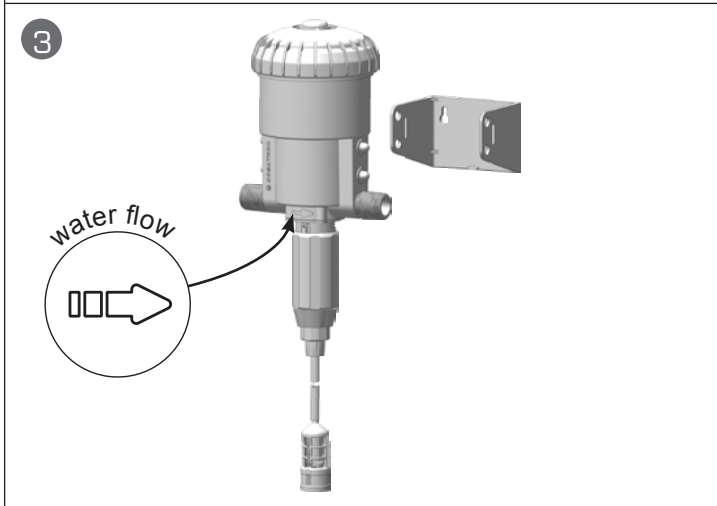
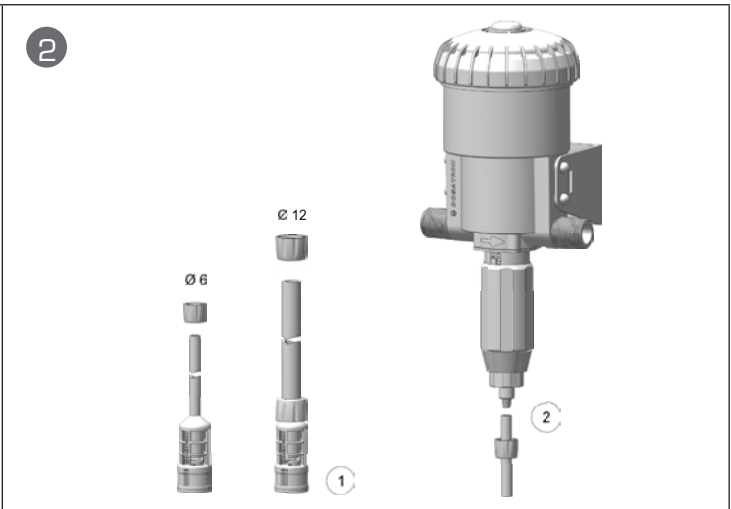
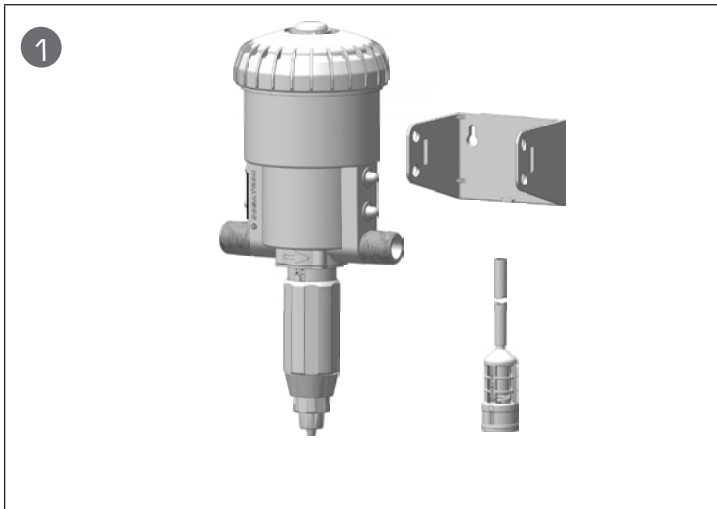
Hand tighten. No tools needed.

- To confirm compatibility with the dosing pump.
- Before applying any aggressive chemicals, please consult your distributor substances (e.g. corrosives, toxins, solvents, acids, caustic, flammables, etc.).
- The DOSATRON. Be extremely careful in the presence of hazardous substances to the liquid being pumped and the temperature of the water that appropriate to the liquid being pumped and take additional safety measures.
- Follow the instructions in the documentation and take additional safety measures install the equipment with a view toward ensuring safe operation.
- protective clothing, and eye protection when working on the equipment and metering pump, keep safety considerations foremost. Use proper tools.
- When installing, operating, and maintaining the DOSATRON water powered - Contact local authorities for requirements of backflow prevention.
- When connecting a DOSATRON either to the public water supply or to its own water source, you must respect the regulations in force concerning protection of the source i.e. backflow prevention, etc.

### CAUTION

### PRECAUTIONS

- It is the responsibility of the owner/operator to check that the flow and pressure of the installation do not exceed the DOSATRON characteristics.
- Adjustment must be made when there is no pressure in the Dosatron. Turn off the water supply and allow the pressure to drop to zero.
- It is the responsibility of the owner/operator of the DOSATRON, to determine the correct amount of solution and injection ratio to obtain the desired result.
- An air inlet, an impurity or a chemical attack on seal can interrupt the dosing function. It is recommended to periodically check that the solution is being correctly drawn up into the DOSATRON.
- Change the suction tube as soon as it seems damaged by the chemical.
- Relieve the pressure after use (advised).
- Rinsing of the DOSATRON is required :
  - . when changing chemicals,
  - . before handling the DOSATRON, to avoid any contact with the chemical.
- All assembly should be done without tool, hand tighten only.
- 2- WATER WITH HIGH PARTICLE CONTENT**
  - A (ex.: 300 mesh - 60 microns depending on your water quality) water filter must be installed prior to the DOSATRON (see accessories), if a filter is not installed abrasive substances will cause the DOSATRON to deteriorate prematurely.
- 3- WATER-HAMMER / EXCESSIVE FLOW**
  - For installations subject to water hammer a protection device such as a check valve or union ball check must be fitted (pressure/flow control system).
  - For automatic installations, slow opening and closing solenoid valves are preferable.
  - In an installation where a DOSATRON serves several sectors, the closing of one sector and the opening of another sector must be done at the same time (simultaneous operation of the solenoid valves).
- 4- INSTALLATION LOCATION**
  - The location of the DOSATRON and concentrate container should be accessible, but should never present a risk of pollution or contamination.
  - It is recommended to label all water lines with a warning about the injected solution i.e. Not For Human Consumption.
- 5- MAINTENANCE**
  - Rinse the injection areas after using the DOSATRON. To do this, insert suction tube into container of clean water (~ 1 liter [0.264.US GALLONS]).
  - Routine maintenance once a year will add to the life of your DOSATRON. Replace the dosing seals as well as the suction tube annually to ensure proper injection.
- 6- SERVICE**
  - Complete maintenance and seal kits are available.
  - Call your DOSATRON distributor for service or parts.



**Maximum: 46 clicks/15 sec.**

